

Service Manual

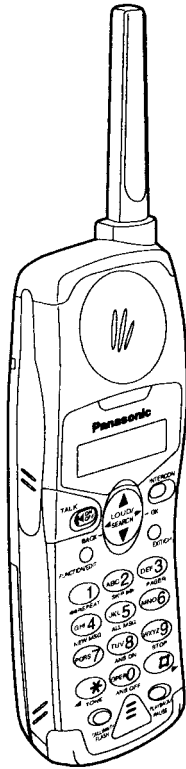
Telephone Equipment

2.4GHz Cordless Answering System

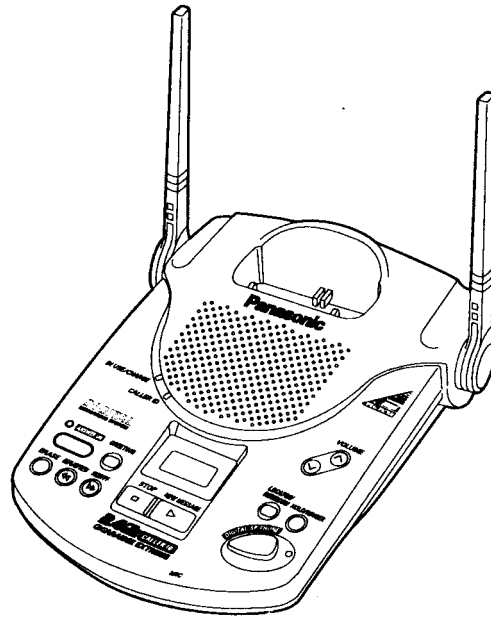
KX-TG2570B KX-TG2570S



2.4GHz
GIGARANGE EXTREME



(Handset)



(Base Unit)

Black Version

Silver Version

(for U.S.A.)

Caller ID Compatible

■ SPECIFICATIONS

| | Base Unit | Handset |
|-----------------------------|--|--|
| Power Source: | AC Adaptor (PQLV10Z) | Rechargeable Ni-MH battery |
| Receiving Frequency: | 25 channels within 904.56~925.04 MHz | 25 channels within 2.40616~2.47784 GHz |
| Receiving Method: | Double super heterodyne | Double super heterodyne |
| Transmitting Frequency: | 25 channels within 2.40616~2.47784 GHz | 25 channels within 904.56~925.04 MHz |
| Oscillation Method: | PLL synthesizer | PLL synthesizer |
| Detecting Method: | Quadrature Discriminator | Quadrature Discriminator |
| Tolerance of OSC Frequency: | ± 3.6 kHz | ± 3.6 kHz |
| Modulation Method: | F3 (frequency modulation) | F3 (frequency modulation) |
| ID Code: | 20-bit | 20-bit |
| Dial Mode: | | Tone (DTMF)/Pulse |
| Directory: | | Up to 22 digits |
| Power Consumption: | | 14 days at Standby, 3~9 hours at Talk |
| Dimension (H×W×D): | 2 ²⁷ / ₃₂ " × 6 ³ / ₈ " × 8 ³ / ₃₂ " (72 × 162 × 180 mm) | 8 ³ / ₃₂ " × 2 ⁹ / ₃₂ " × 1 ³ / ₈ " (228 × 58 × 35 mm) |
| Weight | 1.04 lbs. (470 g) | 0.51 lbs. (230g) with battery |

Design and specifications are subject to change without notice.

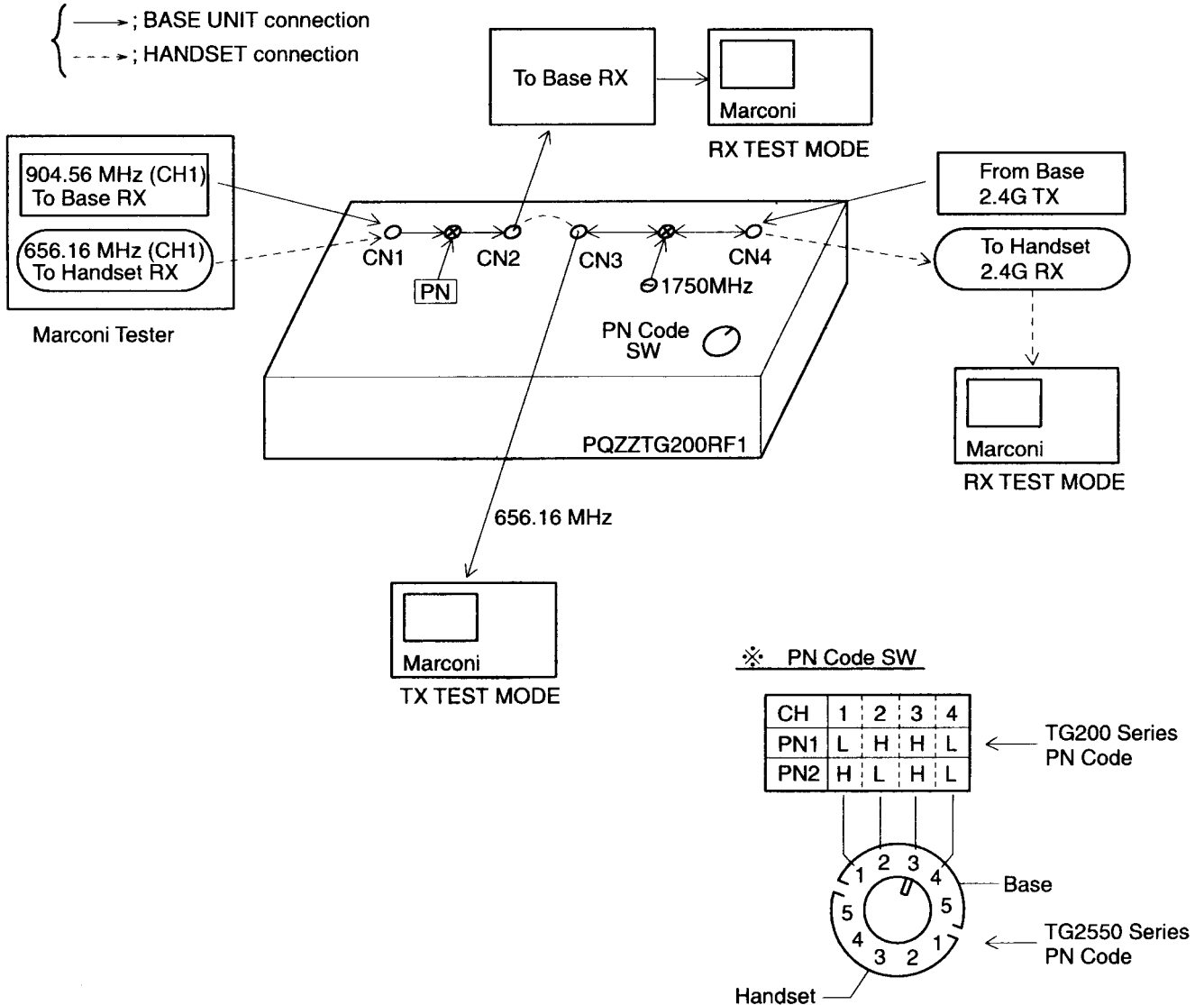
Panasonic

©1999 Kyushu Matsushita Electric Co., Ltd.
All rights reserved. Unauthorized copying and distribution is a violation of law.

TEST MODE SETTING

■ KX-TG2570B Test Equipment (PQZZTG200RF1)

1. Set PN code (refer to Frequency Table) by PN code SW below.
When you think that you want to set Test Mode on CH8, you have to set PN code 3.
2. Power on
3. Connect to other Equipments.



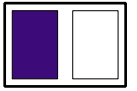
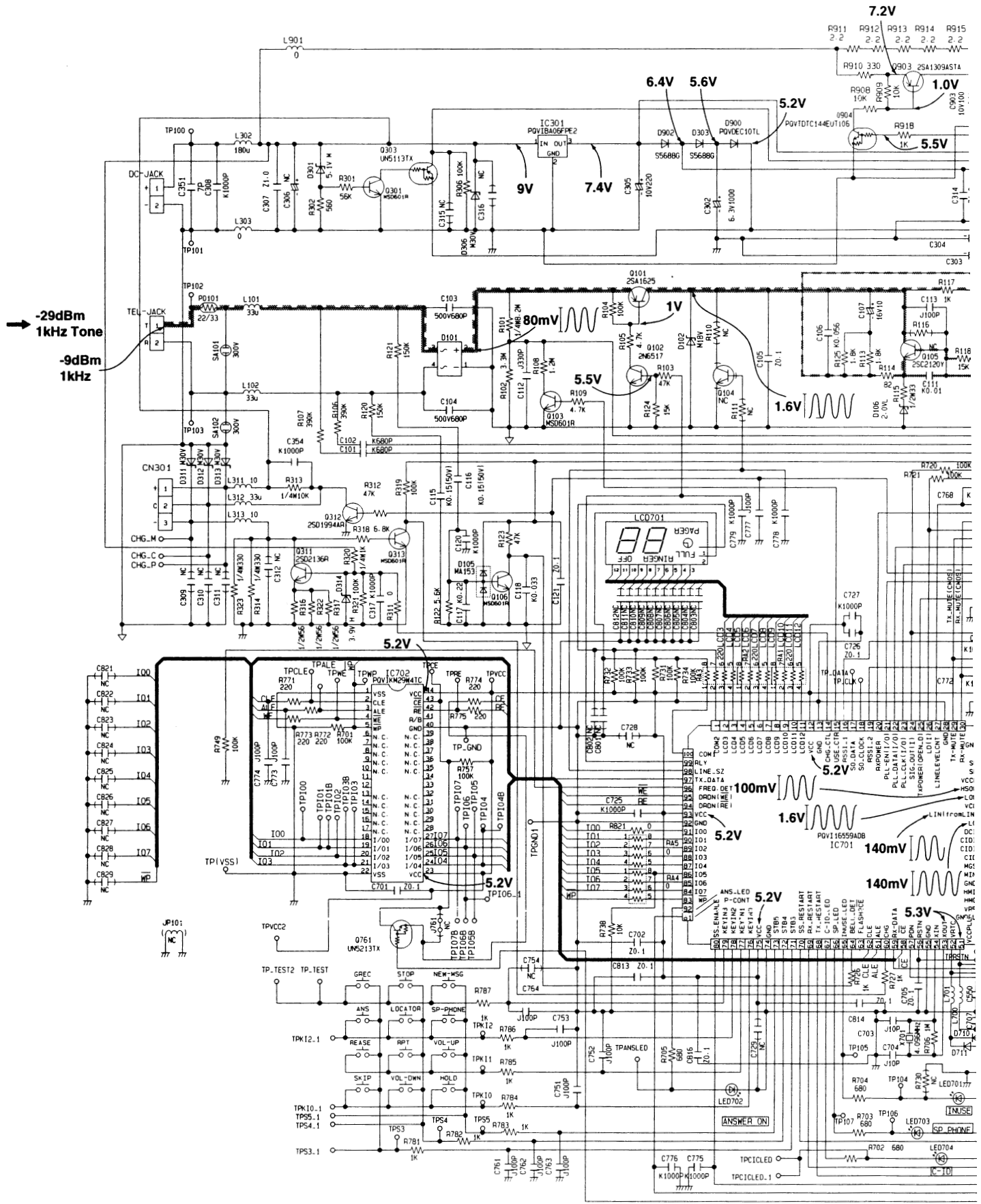
CN3 and CN4 compose down convertor.
 (CN3 Output Signal Frequency) = (CN4 Input Signal Frequency) - 1750MHz

< for example >
 CN4 CN5 CN3
 2406.160 MHz - 1750.0 MHz = 656.160 MHz
 (CH1)

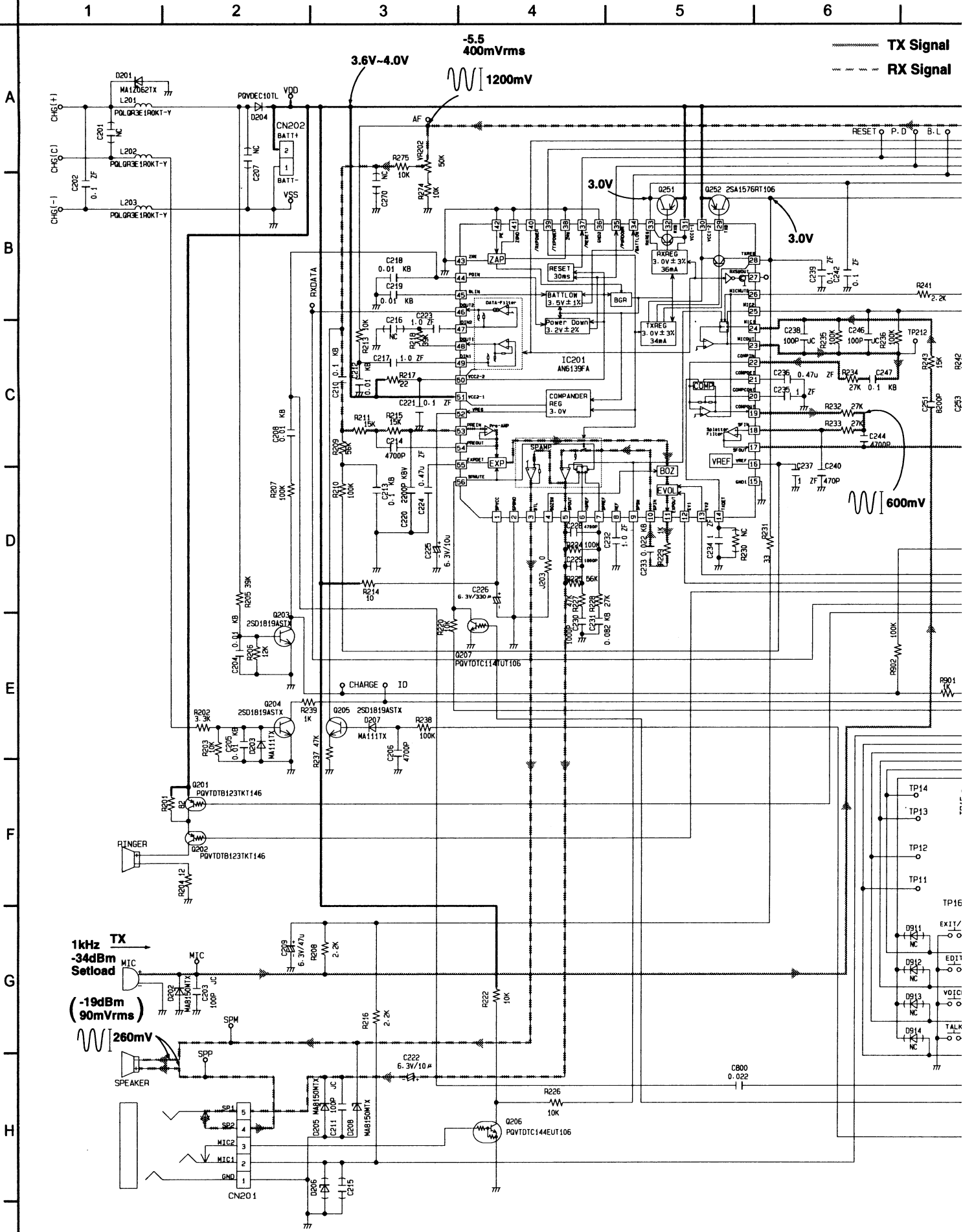
SCHEMATIC DIAGRA

1 2 3 4 5 6

A
B
C
D
E
F
G
H



SCHEMATIC DIAGRAM



----- TX Signal
----- RX Signal

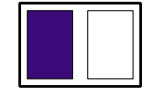
3.6V-4.0V
-5.5
400mVrms
1200mV

3.0V

600mV

1kHz TX
-34dBm
Setload
(-19dBm)
90mVrms

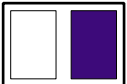
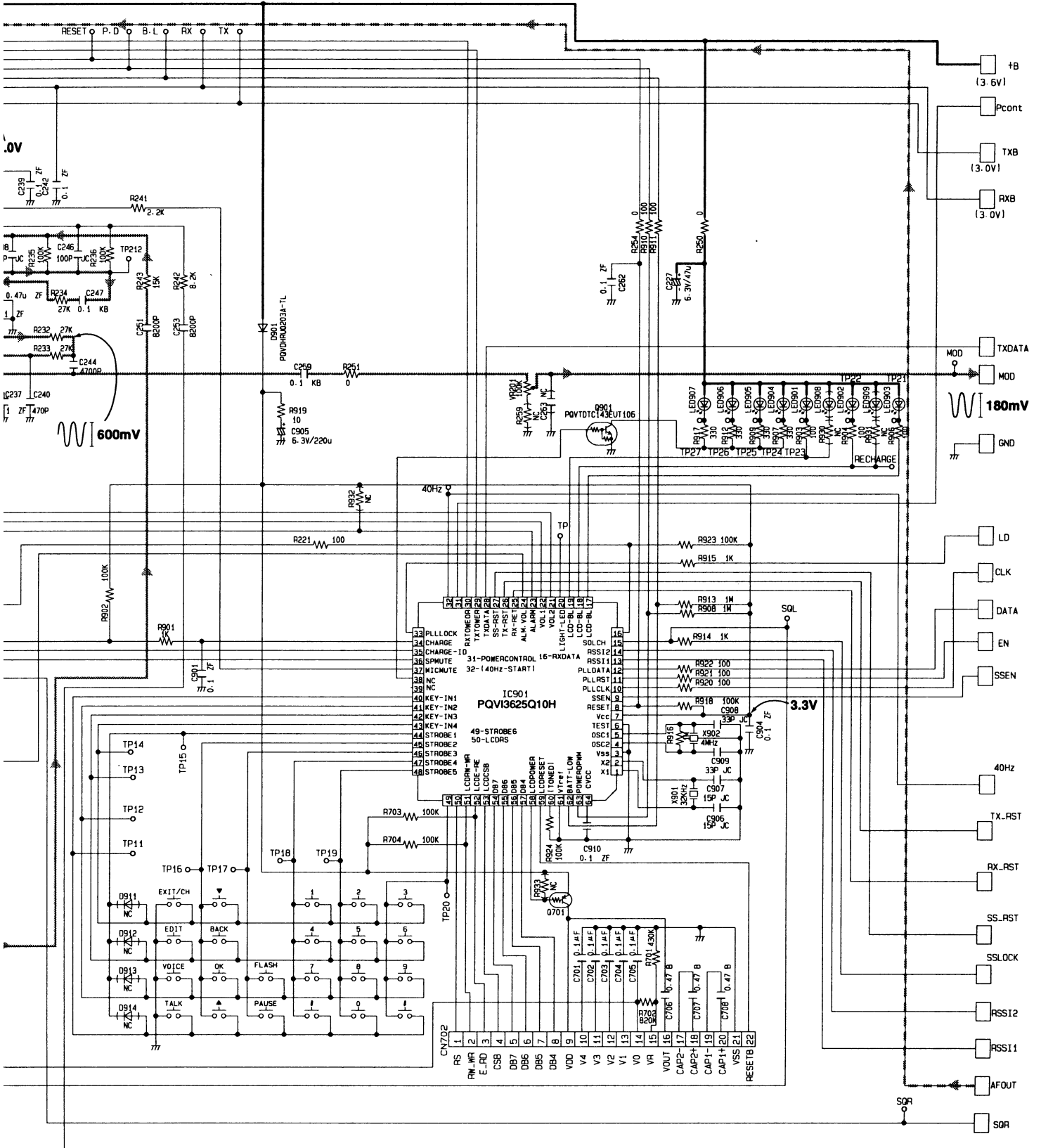
260mV



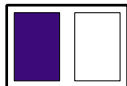
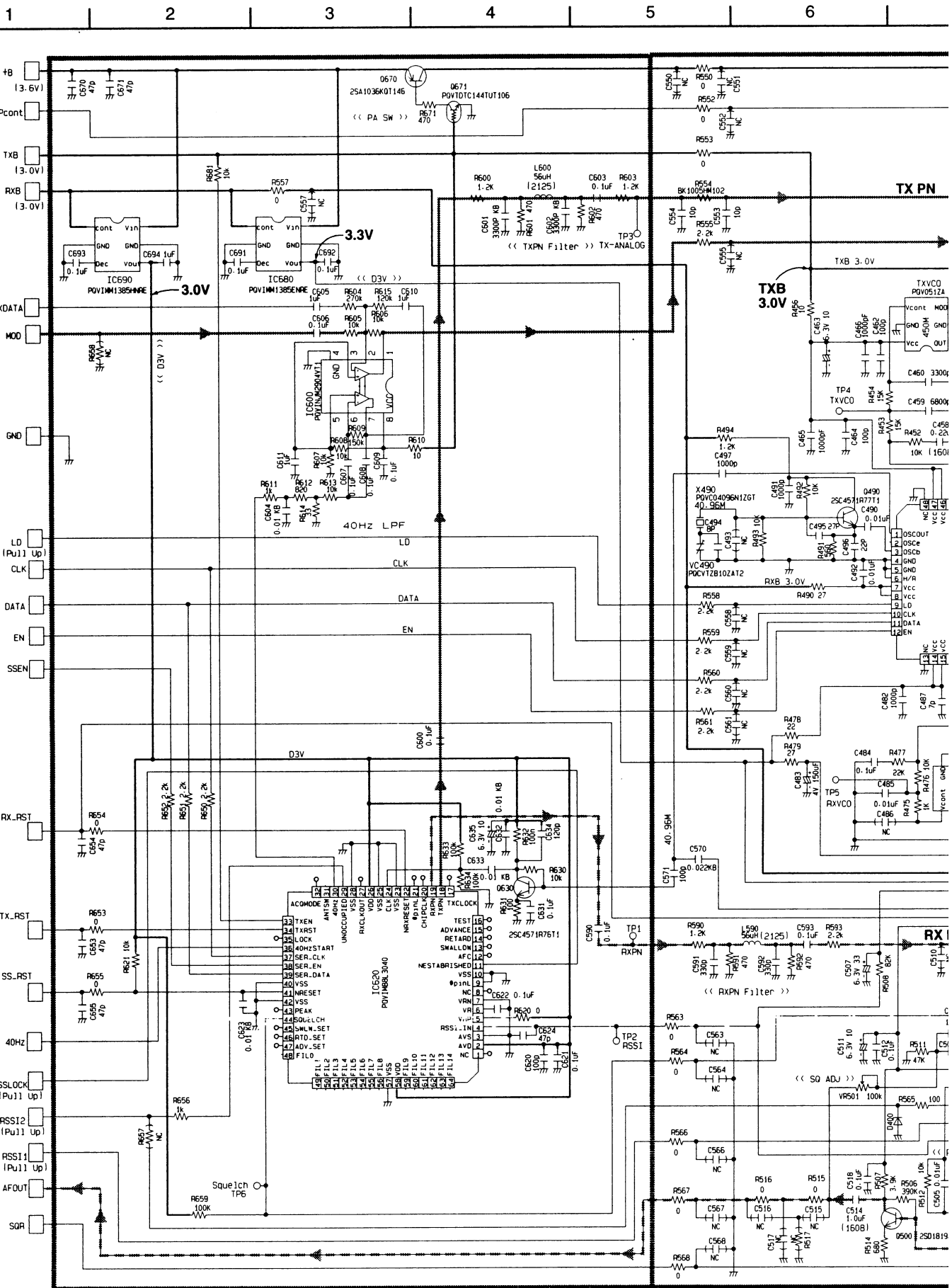
IC DIAGRAM (Handset-Main)

6 7 8 9 10 11 12

----- TX Signal
----- RX Signal

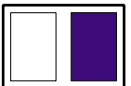
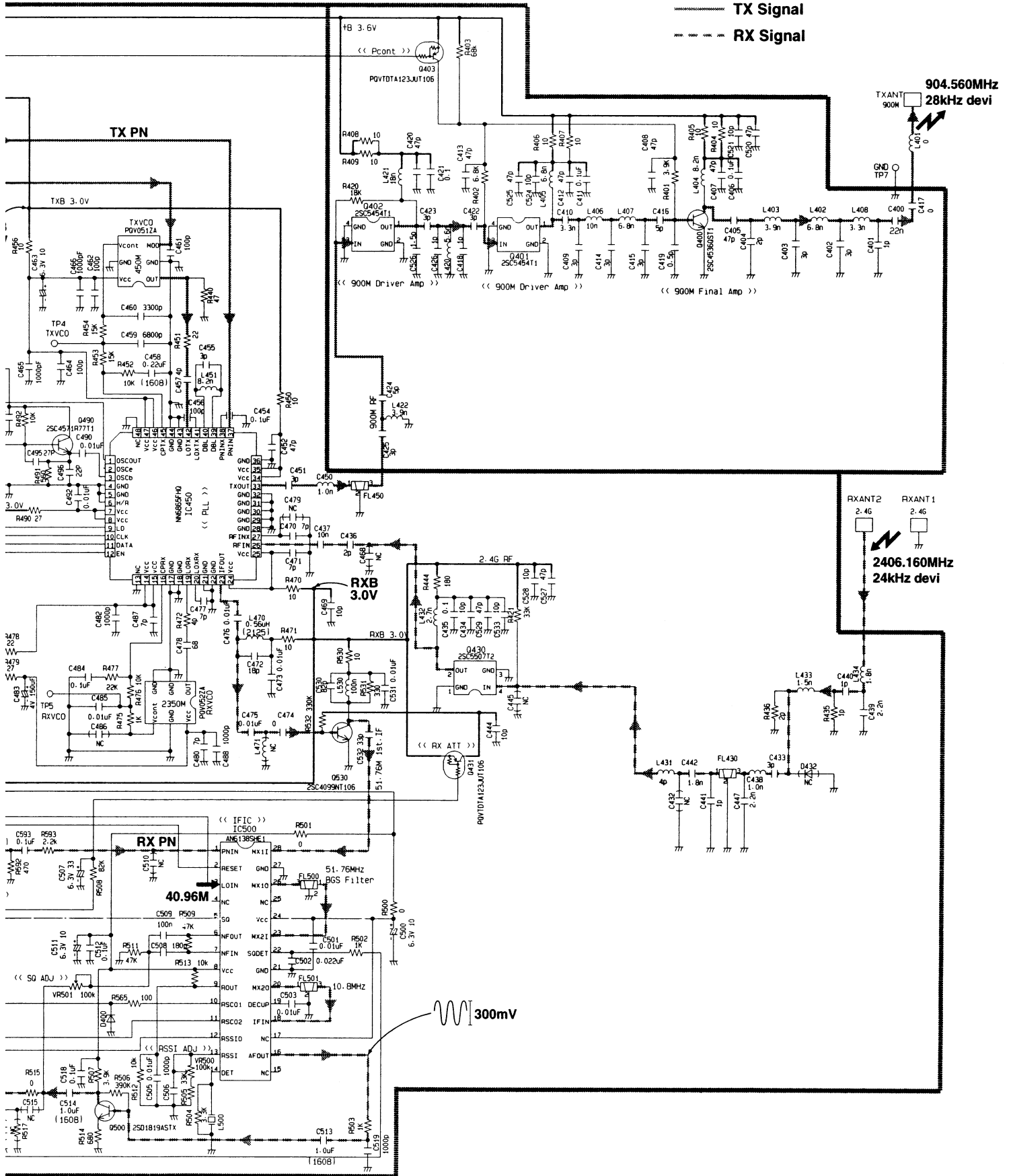


SCHEMATIC DIAGRAM



IC DIAGRAM (Handset-RF)

6 7 8 9 10 11 12



CABINET AND ELECTRICAL PARTS LOCATION (Base Unit)

